

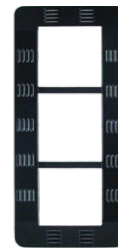
SWARCO

# McCain BACKPLATES

STANDARD AND PROGRAMMABLE SIGNAL HEADS



McCain Backplates provide a visual contrast between signal heads and the environment, enhancing signal visibility. Available for standard and programmable signal heads in eight and twelve inch sizes, McCain Backplates can be configured for one to five section, HAWK (3-section cluster), doghouse (5-section cluster), or combination signals. Available in a variety of standard and custom colors to match the signal head, McCain Backplates provide an aesthetically pleasing and functional look for your intersection.



High performance; 5", louvered



Standard; 8", non-louvered



Standard; 5", louvered

## KEY BENEFITS

- Enhances signal visibility by creating an environmental contrast
- Compatible with standard and programmable signal heads
- Available in a multitude of configurations
- 5" or 8" borders
- Standard and custom color options

## PRODUCT DESCRIPTION

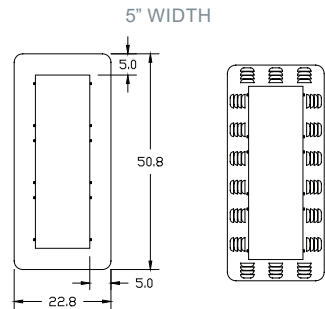
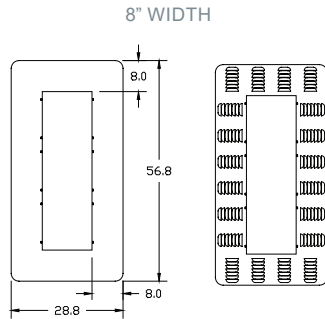
The McCain Backplate collection is ideal for use in conjunction with standard or programmable signal heads. McCain Backplates are available in several types including aluminum, ABS sheet, and vacuum-formed ABS, and the aluminum is available in a louvered style. Vacuum-formed McCain Backplates incorporate a 1/2" lip for added strength.

All McCain Backplates are available with five or eight inch borders. Mounting methods vary depending on the backplate type.

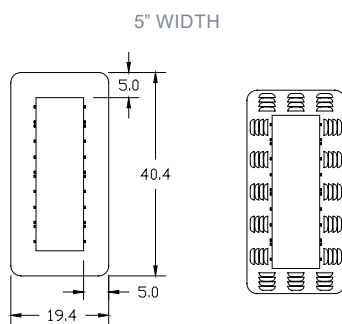
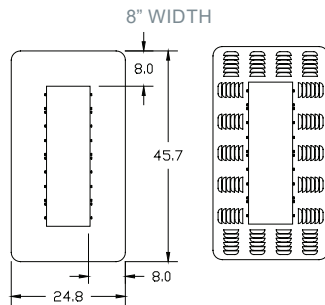
Every backplate has a flat black front face for increased visual contrast against the background. The back face is available in a variety of colors to match your current signal housing.

# McCain BACKPLATES

## STANDARD 12" SIGNAL\*



## STANDARD 8" SIGNAL\*



## STANDARD FEATURES

- Accommodates 8", 12", cluster, and combination signal heads
- 5" or 8" borders<sup>1</sup>
- Aluminum: louvered, non-louvered; ABS: non-louvered
- Aluminum, ABS, and ABS vacuum formed<sup>1</sup>
- ABS vacuum formed have flanged edges for added strength

## GENERAL SPECIFICATIONS

Dimensions:	Varies based on signal configuration
Material:	Aluminum: 0.050" or 0.063" thick
Finishes:	Aluminum: Powder coat ABS: Integrally molded
Colors:	Face: Flat black Back: Federal yellow, signal green, black, or custom colors
Construction and Attachment:	Depends on style
Signal Mounting:	Elevator Plumbizer (MAS) and standard
Shipping Weight:	Varies based on signal configuration

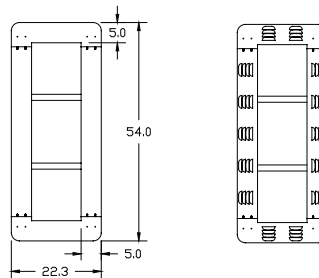
## OPTIONS



Reflective tape, with louvers

- Modification to allow use of reflective tape on aluminum louvered and non louvered styles
- Aluminum available with flanged edges for added stiffening

## HIGH PERFORMANCE 12" SIGNAL\*



\*Drawings depict typical 3-section backplates; louvered types are approximately the same size as non-louvered.

<sup>1</sup>Drawing dimensions rounded to the nearest 0.1"  
<sup>1</sup>High Performance available only in 5" borders; material: aluminum

SWARCO reserves the right to make changes at any time in order to supply the best product possible.  
©SWARCO McCain, Inc. Updated 06/16/2022