

# FAST-VMS

## Variable Message Radar Speed Trailer

### Product Applications

The FAST-VMS Series Speed Display Trailer has a 30" x 50" full graphic, medium density LED array capable of 1 to 3 lines of text, full graphic characters and complex animation. The VMS display sign folds down creating a lower trailer profile for easy transport and storage. Standard features include high speed blanking, flashing digit violator alert and traffic management arrows, a basic VMS message library and customization software for both text and animation.

Please see the reverse for complete details.

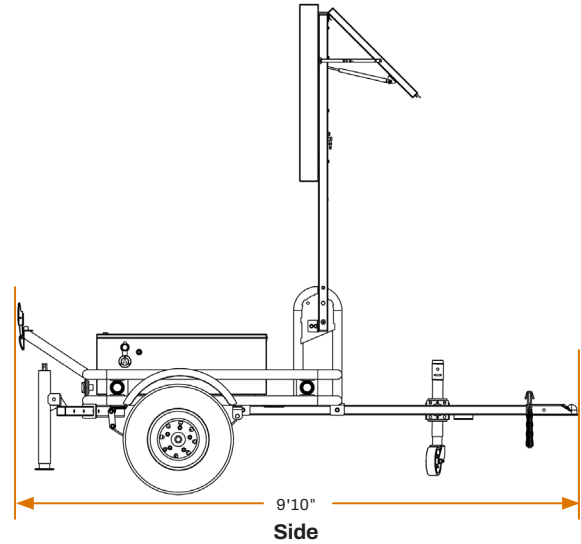
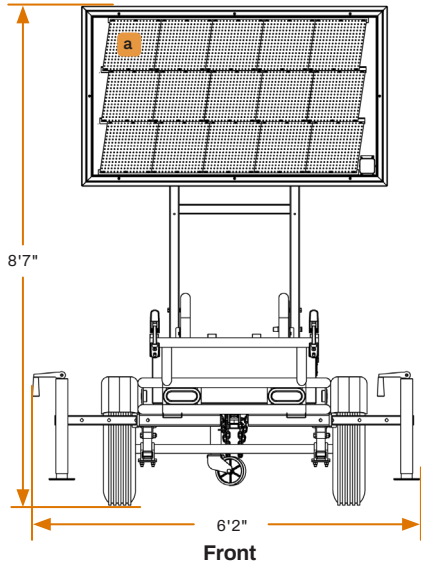
### Features and Benefits

- Medium density 50 LED matrix with individual LED control
- 30" x 50" active area
- Up-to 30" Amber LED digits
- "VMS Creator" software included
- Online message/animation library
- Over 500 frames of animation/scrolling
- Display protected by 3mm clear, non-glare polycarbonate
- Automatic intensity adjustment to ambient light conditions
- Single directional K-band radar unit
- Keyed on/off switch
- Four AGM batteries (400 Ah total)
- "Presence Only" VMS mode for power conservation
- Data acquisition package for Counting and Clocking oncoming vehicles
- Unit defaults to last settings upon power up



# FAST-VMS

## Variable Message Radar Speed Trailer



### FAST-VMS Speed Sign

<b>Digit Size</b>	<b>1 Line</b>	18"
	<b>2 Lines</b>	12"
	<b>3 Lines</b>	9"
<b>Viewing Angle</b>	15 degrees	
<b>Viewing Distance</b>	Up to 1,200 ft.	
<b>Speed Display Enclosure</b>	<b>Dimensions</b>	37.5" x 63.5"
	<b>Material</b>	5052-h32 0.10" thick aluminum
	<b>Rating</b>	NEMA 3R
<b>Active Display Area</b>	30" x 50"	
<b>Sign Pitch</b>	0.67"	
<b>Radar</b>	K-band single directional	
<b>Speed Violator Options</b>	Flashing digits standard: "SLOW DOWN", Split screen capability: "Speed Limit" and "Your Speed"	
<b>Traffic Count Data Collection</b>	<b>Data Storage</b>	Secure Data (SD) Card
	<b>Reporting</b>	Vehicle count, survey summary, speed and time/date, 85th percentile, batch analysis: (15 minute, 1 hour, daily or weekly)
<b>Agency Approvals</b>	This device complies with Part 15 of the FCC Rules	
<b>Warranty</b>	1-Year Limited Warranty	

### FAST-VMS Trailer

<b>Dimensions</b>	126" x 60"	
<b>Weight</b>	1,250 lbs	
<b>Height</b>	<b>Deployed</b>	105"
	<b>In-Tow</b>	44.5"
<b>Construction</b>	2" tubular steel powder coated	
<b>Color</b>	White (other colors available upon request)	
<b>Hitch</b>	2" Class II ball coupler	
<b>Leveling</b>	(1) Front wheel jack, (2) heavy duty rear extendable outriggers	
<b>Suspension</b>	2000 lbs. axle, leaf spring suspension	
<b>Wheels/Tires</b>	13" white steel wheels w/two (2) ST175/80013 rated tires	
<b>Battery</b>	(4) 100Ah batteries standard	
<b>Battery Charger</b>	40A internal marine grade floating charger	
<b>Solar Option</b>	160W solar panel standard	



Adaptive Micro Systems  
7840 North 86th Street  
Milwaukee, WI 53224

(800) 558-7022  
www.adaptivedisplays.com  
connect@adaptivedisplays.com



Designed and built in  
the USA using American  
and imported parts