

TRAFFIC LOGIX SAFEPACE® GUARDIAN CAM PRODUCT SPECIFICATIONS

Traffic Camera Specifications



SafePace® Guardian Cam Product Specifications

Copyright © 2017 Traffic Logix Corporation All rights reserved.

This manual may not be copied in whole or in part, nor transferred to any other media or language, without the express written consent of Traffic Logix Corporation

This document is supplied as a guide for the SafePace Guardian Cam product. Reasonable care has been taken in preparing the information it contains. However, it is possible that this document contains omissions, technical inaccuracies, or typographical errors. Product specifications are subject to change without notice and should not be considered commitments by Traffic Logix Corporation. Traffic Logix Corporation does not accept responsibility of any kind for customers' losses due to the use of this document.

Trademarks

SafePace® is a registered trademark of Logix ITS Inc. All other product and company names are trademarks or registered trademarks of their respective owners.

This document may contain confidential and proprietary information of Traffic Logix Corporation and/or other third parties which is protected by copyright, trade secret and trademark law and may not be provided or otherwise made available without prior written authorization.

Document version: 1.1 created: 12:10 PM on Wednesday, November 29, 2017

TABLE OF CONTENTS

| | |
|---------------------------------------|----------|
| Description | 4 |
| Technical Specifications | 5 |
| Dimensions | 6 |
| Communication | 7 |
| Configurable Options | 7 |
| Warranty | 8 |

DESCRIPTION

SafePace Guardian is an accessory to the SafePace Radar Feedback signs that provides the ability to capture images of vehicles exceeding the speed limit. The sign triggers the camera when an approaching vehicle exceeds the defined speed threshold. The camera then stamps the detected speed on the captured image(s). This allows you to warn and/or ticket the drivers.

SafePace Guardian works with Web Director, which allows you to remotely manage your SafePace Guardian Cam cameras and signs right from your computer, with detailed reporting, customized alerts, and real-time data. You can see statistics for each camera and sign, change settings, verify the status of the camera and sign, and import incident data without having to travel to the various locations.

TECHNICAL SPECIFICATIONS

Camera/Imaging

- » Resolution (H × V): Full HD, 1920 × 1080 pixels
- » Camera Lens: CS mount; fixed focal length; suitable for day/night time operation
- » Number of traffic lanes: 1
- » OCR: Server-based; Front plate

Processor/Storage/OS

- » CPU: 800 MHz Quad-core ARM A9
- » Memory: 2 GB of RAM
- » Storage: 4 GB of flash (non-volatile) storage
- » Buffer: approximately 400 incidents (with typical settings)
- » Operating System: Custom-built Linux

Illuminator (required for night time operations; available on request)

- » Internal/External: External
- » Model: AXTON Smart AT-32S-A 30° Infrared Illuminator (850nm)
- » Wavelength: 850nm
- » Power supply voltage: 12 V DC
- » Instant Current: 2.8 Amps
- » Power consumption: approximately 34 Watts

Electrical Specifications

- » Power supply voltage: 12 V DC
- » Instant Current: 0.4 Amps
- » Power consumption: approximately 4.8 Watts

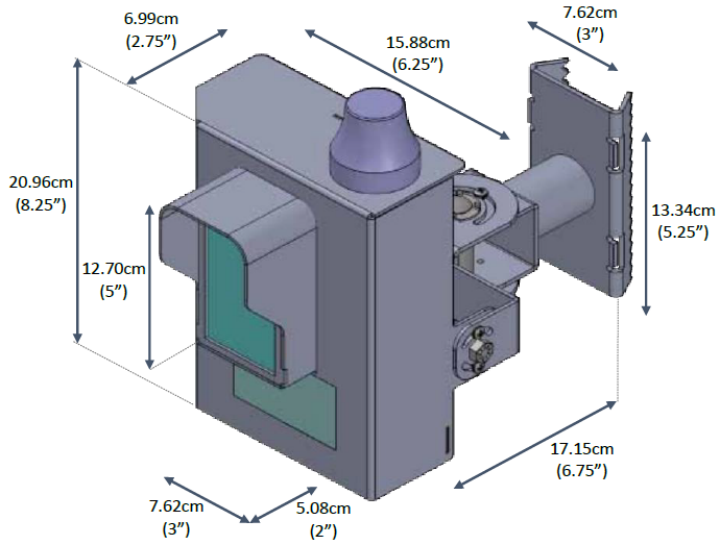
Mechanical Specifications

- » Operating temperature: -20° C to 65° C
- » IP rating: IP65
- » Camera Housing: Aluminum, light gray
- » Weight: 1.66 kg / 3.65 lbs
- » Dimension of camera: 20.96 cm (H) × 15.88 cm (W) × 6.99 cm (D)

All Specifications Subject to Change Without Notice

Dimensions

Camera Dimensions (not including antenna): 20.96 cm (H) × 15.88 cm (W) × 6.99 cm (D)



All Specifications Subject to Change Without Notice

COMMUNICATION

- » Wi-Fi: Wi-Fi 802.11 b/g/n
- » GSM: 3G/4G (2G compatible)
- » SIM card size: Standard
- » Ethernet: Standard wired Ethernet 100 BASE-TX

CONFIGURABLE OPTIONS

- » SafePace Guardian Cam is highly configurable and the on board camera interface allows you to adjust the following parameters among others:
 - Official Local Speed Limit
 - Violation Speed Limit (Limit which triggers the recording of a speed violation incident)
 - Number of images recorded for each speed violation incident
- » SafePace Guardian Cam keeps a detailed log of internal events which allows you to perform a complete audit of its operations.

All Specifications Subject to Change Without Notice

WARRANTY



Two Year Warranty

Two year warranty on parts and labor
excluding damage related to
vandalism, abuse, and/or theft

Subject to the following conditions, Traffic Logix Corporation (“Traffic Logix”) warrants that the SafePace Guardian Cam (the “Product”) is free from defects in materials and workmanship.

This limited warranty begins on the invoice date of your purchase of the Product and extends:

- » For TWO (2) calendar years on the camera, and
- » For ONE (1) calendar year on the batteries.

This limited warranty extends only to the original purchaser of the Product when purchased either directly through Traffic Logix or through an authorized Traffic Logix distributor and is not assignable or transferable to any subsequent purchaser or end-user. Traffic Logix’s obligation and liability under this warranty are expressly limited to repairing or replacing, at Traffic Logix’s option, defective products. In no circumstances shall Traffic Logix’s liability, whether in contract or tort, under any warranty, in negligence, or otherwise, exceed the amount of the purchase price of the product. Traffic Logix shall not be liable for special, indirect, or consequential damages of any kind. This warranty does not cover damages resulting from normal wear and tear, incorrect installation or operation, use other than for the product’s intended purposes, vandalism, and extraordinary environmental circumstances. Traffic Logix reserves the right to charge for these damages to the product at rates normally charged for repairing such products not covered under this warranty. Damages resulting from any physical changes or alterations made to the product other than Traffic Logix will render this warranty **VOID**. Using any parts or accessories not supplied or approved by Traffic Logix, such as battery chargers, will further render the warranty **VOID**.

Traffic Logix neither assumes, nor authorizes any person to assume for it, any other liability in connection with the sale of the Product, and there are no agreements or warranties collateral to or affecting this limited warranty.

THE LIMITED WARRANTY SET FORTH IN THIS AGREEMENT IS THE EXCLUSIVE AND SOLE WARRANTY APPLICABLE TO THIS PURCHASE. ALL OTHER WARRANTIES, EXPRESS OR IMPLIED, INCLUDING, BUT NOT LIMITED TO THE IMPLIED WARRANTY OF MERCHANTABILITY AND THE IMPLIED WARRANTY OF FITNESS FOR A PARTICULAR PURPOSE ARE EXPRESSLY DISCLAIMED.

Traffic Logix does not warrant that any of its products will meet or comply with the requirements of any applicable federal, state or local safety code, law, regulation or ordinance (“Applicable Safety Laws”). Buyer acknowledges that Traffic Logix’s products are to be used only in accordance with the attached Conditional Terms of Use and any Applicable Safety Laws. Buyer agrees that there shall be no coverage or benefits of any kind under this limited warranty if it is determined by Traffic Logix that the Product was not installed or used in accordance with the Conditional Terms of Use or Applicable Safety Laws, or if the Product has been altered in any way by anyone other

than Traffic Logix, or if the Product has been subject to any misuse or accident. In addition, Buyer assumes and agrees to indemnify Traffic Logix for all risk, liability or expense that results from any installation or use of the Product that is not in accordance with the Conditional Terms of Use or any Applicable Safety Laws.

Warranty Replacement Procedure

In order to submit a claim for the repair or replacement of the Product under this limited warranty, proceed as follows:

1. Contact Technical Support. **Do NOT** ship your defective product to Traffic Logix prior to contacting Technical Support.
2. A Technical Support Agent will evaluate the Product to determine if it is defective. You may be required to do some troubleshooting as part of this evaluation.
3. If the Product is defective, then you will need to submit your contact information, and proof of purchase (including the date of purchase), in order to obtain repair or replacement parts.
4. The Technical Support Agent will provide you with a Return Materials Authorization number and instructions on how to have the defective parts repaired or replaced.