

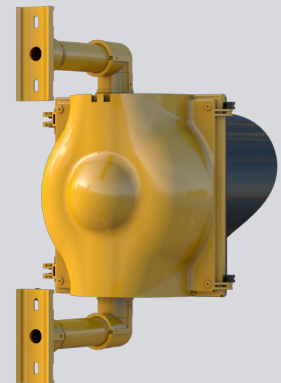
TAPCO-INTEGRATED BLINKERBEACON™

SPECIFICATIONS

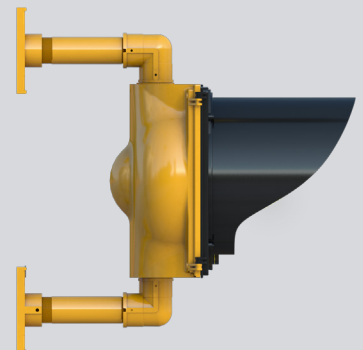
POWER	12VDC or Low voltage, current controlled from TAPCO controller
DIMMING	Adjustable based on photocell or solar panel input through TAPCO controller
LED HOUSING	Black or yellow polycarbonate
LED VISOR and DOOR	Black polycarbonate standard; yellow available Cut visor standard; tunnel visor available
VEHICLE LED MODULES	12" round standard; 8" round available Adjustable rotation
LED COLOR	Amber or red
FLASH PATTERN	MUTCD-compliant options
VISIBILITY	Daytime: more than 1,000 feet Nighttime: more than 1 mile
MOUNTING ASSEMBLY	Polycarbonate or aluminum painted to match LED housing
MOUNTING HARDWARE	Banding or bolts
LIFE EXPECTANCY	100,000 hours
CERTIFICATIONS	ITE certified options
OPERATING TEMPERATURE RANGE	-40°F to 165°F (-40°C to 74°C)
DIMENSIONS	8" - 11.2"W x 10"H x 12.5"D 12" - 14.8"W x 13.8"H x 17.2"D



FRONT



BACK



SIDE